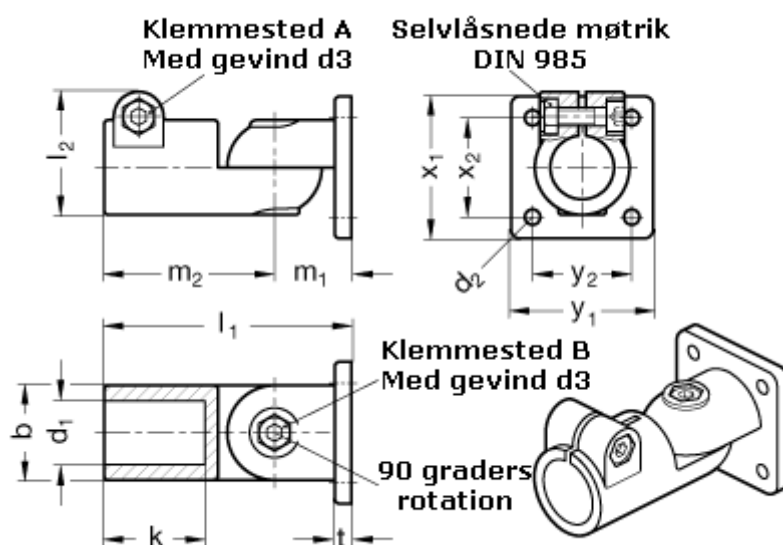


Article number: 20282B45S2BL

Description: E+G Swivel clamp connector joint
GN 282-B45-S-2-BL

Measures



$b = 65$	$m_2 = 115$
$d_1 = B45$	$t = 14$
$d_2 = 11.0$	$x_1 = 105$
$d_3 = M10$	$x_2 = 74$
$k = 74.0$	$y_1 = 105$
$l_1 = 167.0$	$y_2 = 74$
$l_2 = 77.5$	
$m_1 = 52.0$	